

SunPower® X-Series Residential Solar Panels | X22-360

More than 22% Efficiency

Ideal for roofs where space is at a premium or where future expansion might be needed.

Maximum Performance

Designed to deliver the most energy in demanding real-world conditions, in partial shade and hot rooftop temperatures.^{1,2,4}

Premier Technology

Engineered with the newest and most powerful Maxeon technology, X-Series brings unmatched power and performance to your home.



Maxeon™ Solar Cells: Fundamentally better

Engineered for performance, designed for durability.

Engineered for Peace of Mind

Designed to deliver consistent, trouble-free energy over a very long lifetime.^{3,4}

Designed for Durability

The SunPower Maxeon Solar Cell is the only cell built on a solid copper foundation. Virtually impervious to the corrosion and cracking that degrade conventional panels.³

Same excellent durability as E-Series panels.

#1 Rank in Fraunhofer durability test.⁹

100% power maintained in Atlas 25+ comprehensive durability test.¹⁰

High Performance & Excellent Durability



SPR-X22-360



Highest Efficiency⁵

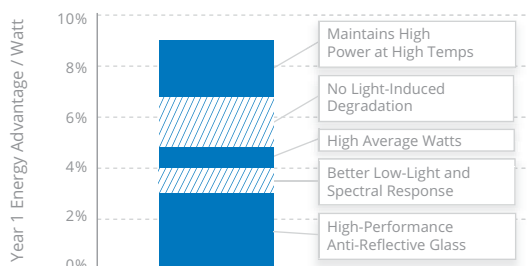
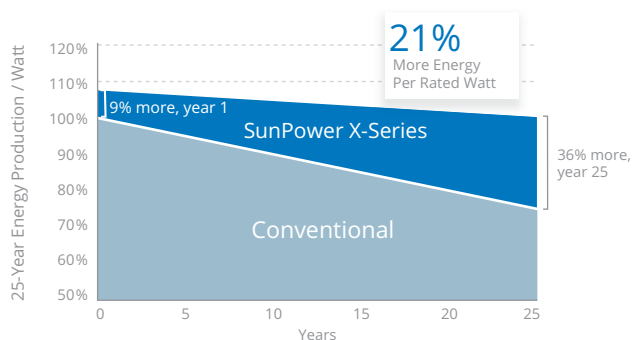
Generate more energy per square meter

X-Series residential panels convert more sunlight to electricity by producing 38% more power per panel¹ and 70% more energy per square meter over 25 years.^{1,2,3}

Highest Energy Production⁶

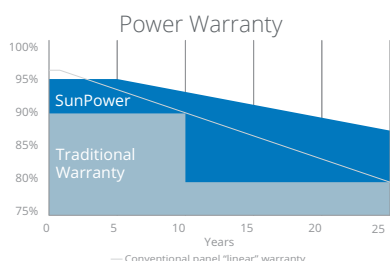
Produce more energy per rated watt

High year-one performance delivers 8–10% more energy per rated watt.² This advantage increases over time, producing 21% more energy over the first 25 years to meet your needs.³

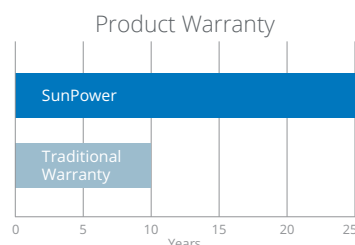


SunPower® X-Series Residential Solar Panels | X22-360

SunPower Offers The Best Combined Power And Product Warranty



More guaranteed power: 95% for first 5 years, -0.4%/yr. to year 25⁷



Combined Power and Product defect 25-year coverage⁸

Electrical Data

	SPR-X22-360
Nominal Power (P _{nom}) ¹¹	360 W
Power Tolerance	+5/-0%
Avg. Panel Efficiency ¹²	22.2%
Rated Voltage (V _{mpp})	59.1 V
Rated Current (I _{mpp})	6.09 A
Open-Circuit Voltage (V _{oc})	69.5 V
Short-Circuit Current (I _{sc})	6.48 A
Max. System Voltage	1000 V IEC & 600 V UL
Maximum Series Fuse	15 A
Power Temp Coef.	-0.29% / °C
Voltage Temp Coef.	-167.4 mV / °C
Current Temp Coef.	2.9 mA / °C

REFERENCES:

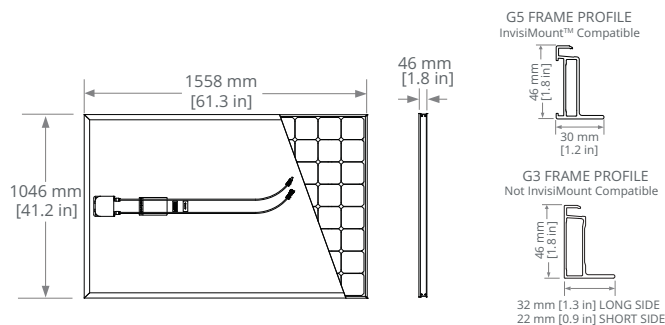
- All comparisons are SPR-X21-345 vs. a representative conventional panel: 250 W, approx. 1.6 m², 15.3% efficiency.
- Typically 8-10% more energy per watt, BEW/DNV Engineering "SunPower Yield Report," Jan 2013.
- SunPower 0.25%/yr degradation vs. 1.0%/yr conv. panel. Campeau, Z. et al. "SunPower Module Degradation Rate," SunPower white paper, Feb 2013; Jordan, Dirk "SunPower Test Report," NREL, Q1-2015.
- "SunPower Module 40-Year Useful Life" SunPower white paper, May 2015. Useful life is 99 out of 100 panels operating at more than 70% of rated power.
- Highest of over 3,200 silicon solar panels, Photon Module Survey, Feb 2014.
- 1% more energy than E-Series panels, 8% more energy than the average of the top 10 panel companies tested in 2012 (151 panels, 102 companies), Photon International, Feb 2013.
- Compared with the top 15 manufacturers. SunPower Warranty Review, May 2015.
- Some restrictions and exclusions may apply. See warranty for details.
- X-Series same as E-Series, 5 of top 8 panel manufacturers tested in 2013 report, 3 additional panels in 2014. Ferrara, C., et al. "Fraunhofer PV Durability Initiative for Solar Modules: Part 2". Photovoltaics International, 2014.
- Compared with the non-stress-tested control panel. X-Series same as E-Series, tested in Atlas 25+ Durability test report, Feb 2013.
- Standard Test Conditions (1000 W/m² irradiance, AM 1.5, 25° C). NREL calibration Standard: SOMS current, LACCS FF and Voltage.
- Based on average of measured power values during production.
- Type 2 fire rating per UL1703:2013, Class C fire rating per UL1703:2002.
- AS/NZS4040.2 Static strength test regime, AS/NZS1170.2 Structural Design Actions - Wind Actions.

Tests And Certifications

Standard Tests ¹³	IEC 61215, IEC 61730, UL1703 (Type 2 Fire Rating)
Quality Certs	ISO 9001:2008, ISO 14001:2004
EHS Compliance	RoHS, OHSAS 18001:2007, lead free, PV Cycle, REACH SVHC-163
Sustainability	Cradle to Cradle Certified™ Silver
Ammonia Test	IEC 62716
Desert Test	10.1109/PVSC.2013.6744437
Salt Spray Test	IEC 61701 (maximum severity)
PID Test	Potential-Induced Degradation free: 1000 V ⁹
Available Listings	TUV, UL, CEC

Operating Condition And Mechanical Data

Temperature	-40° C to +85° C
Impact Resistance	25 mm diameter hail at 23 m/s
Appearance	Class A+
Solar Cells	96 Monocrystalline Maxeon Gen III
Tempered Glass	High-transmission tempered anti-reflective
Junction Box	IP-65 Rated, Multi-Contact (MC4)
Weight	18.6 kg
Max. Load	G5 Frame: Wind: 3000 Pa, 305 kg/m ² Snow: 6000 Pa, 611 kg/m ² G3 Frame: Cyclonic Wind: 7500 Pa, 764 kg/m ² ¹⁴ Snow: 5400 Pa, 550 kg/m ²
Frame	Class 1 black anodised (highest AAMA rating)



Please read the safety and installation guide.

See www.sunpower.com/facts for more reference information.
For more details, see extended datasheet: www.sunpower.com.au/datasheets.

Document # 518557 Rev B /A4_UK_AUS

©March 2017 SunPower Corporation. All rights reserved. SUNPOWER, the SUNPOWER logo, MAXEON, and SIGNATURE are trademarks or registered trademarks of SunPower Corporation. Specifications included in this datasheet are subject to change without notice.

SUNPOWER®