

# A SERIES TETHERED/SOCKET---Home Use

## Technical Datasheet



### General Specifications

<b>Model</b>	Axxxx-E-B
<b>Colour</b>	Black, White, Silver
<b>Cable Length</b>	5m / 6m (tethered version only)
<b>Charging Mode (IEC 61851-1)</b>	Mode 3
<b>Dimensions</b>	<b>Tethered</b> 320x190x130mm (without cable) <b>Socket / Shutter</b> 320x190x145mm
<b>Weight</b>	<b>Tethered</b> 5.43 kg (with cable) <b>Socket / Shutter</b> 2.5 kg
<b>Operating Temperature</b>	-30°C to 50°C [1]
<b>Storage Temperature</b>	-40°C to 70°C
<b>Standards &amp; Regulations</b>	IEC 61851-1, IEC 62196-2, RED Directive 2014/53/EU, ROHS Directive 2011/65, UK Smart Charging Regulations

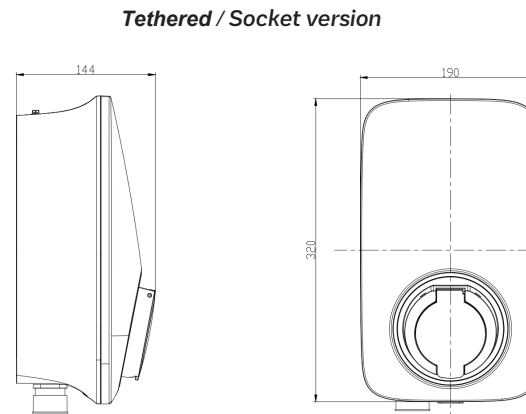
### User Interface & Communications

<b>Connectivity</b>	Wi-Fi, Bluetooth
<b>User Identification</b>	FoxCloud & FoxSwitch App
<b>User Interface</b>	FoxCloud & FoxSwitch App
<b>Charger Status Information</b>	Halo RGB LED, FoxCloud & FoxSwitch App
<b>Included EMS</b>	Static Load Management
<b>Optional EMS [2]</b>	Dynamic Load Management, Solar Charging, External MID
<b>External Communication Interface</b>	OCPP, partner API and Modbus TCP/IP

### Electrical Specifications

<b>Charging Power</b>	<b>7,4kW</b>	<b>11kW</b>	<b>22kW</b>
<b>Rated Voltage AC ± 10%</b>	230V	400V	400V
<b>Rated Current</b>	32A (1P)	16A (3P)	32A (3P)
<b>Connector Type (IEC 62196-2)</b>	Type 2 tethered or socket (with shutter)		
<b>Input Cable Width</b>	up to 10mm <sup>2</sup>	up to 10mm <sup>2</sup>	up to 10mm <sup>2</sup>
<b>Configurable Current</b>	from 6A to rated current		
<b>Rated Frequency</b>	50Hz / 60Hz		
<b>Protection Rating</b>	IP55 / IK08		
<b>Surge Category</b>	CAT III		
<b>Residual Current Detection</b>	DC 6mA		
<b>RCCB</b>	External RCCB Type A required [3]		
<b>Protections</b>	Over current, Residual current, Over/Under voltage, Over temperature, PEN, Anti-tamper		

### Dimensions



### Product Type Structure

## A SERIES

www.fox-ess.com

Model:	A022KP1-E-B
Input:	3/N/PE~230/400V,50/60Hz,32A
Output:	3/N/PE~230/400V,50/60Hz,32A
Rated Power:	22kW
Ingress Protection:	IP65
Protection degree:	Class I
Operating Temperature:	-30°Cto+50°C
FOXESS Co., Ltd. No.939 Jinhai Third Road, New Airport Industry Area, Longwan District,Wenzhou,325025 Zhejiang,P.R. China.	
IEC 61851-1:2019, EN 61851-1:2019.	
IEC 61851-21-2:2021, EN 61851-21-2:2021.	
Made in China	

A022KP1-E-B

Type Code	Internal Code	Definition
A		A series
022		Max charging power 22kW
K		Kilowatts
P/S		Plug version/ Socket version
E		Europe standard
B		Generation B
	W	Wi-Fi
	O	OCPP
	G	4G

[1] The charger will operate at full capacity up to 40°C. Above 40°C, derating may apply.

[2] Requires an external meter.

[3] According to local regulations.